



JOHN DEERE

CONSTRUCTION EQUIPMENT

EXCAVATORS



MODEL NO.

120C 160C LC



C-Series

EXCAVATORS

CONSTRUCTION EQUIPMENT

The 120C is rated at 89 SAE net hp
and the 160C LC at 109 net hp.

PERFORMANCE



Small excavators with big enough reach:
The 120C has a maximum digging depth
of 17 feet, 10 inches (8-foot, 3-inch arm),
while the 160C LC has a digging depth of
20 feet, 10 inches (10-foot, 2-inch arm).




EXPECT BIG

Whether you're adding an agile, niche machine that's just the right size or building your business by graduating from a backhoe to your first excavator, John Deere's 12-metric-ton 120C and 16-metric-ton 160C LC Excavators deserve a real close look. They're small machines with big machine feel and productivity.

These dynamos come with the same goodies as machines at the heavier end of the new C-Series line, like rugged and reliable John Deere PowerTech™ engines, heavy-duty cooling systems, reinforced booms, and operator stations that verge on self-indulgent.

Every day your customers expect big things from you in the way of productivity and versatility. The only way to deliver for them is to work with machines that will do the same for you. Call your John Deere dealer today for a demo.




Like all C-Series excavators, the 120C and 160C LC feature welded bulkheads inside the boom and arm to resist torsion stress. They also have thickened plates — three in the boom and one in the arm — to add strength and durability.

This way to profits. It's easy to take the 120C and 160C LC from job to job; all you need is a dump truck and a tag-along trailer.

THINGS

Deere's exclusive Powerwise™ II engine/hydraulic management system balances hydraulic pressure and flow, maximizing engine output, saving fuel, and enabling smooth multi-function operation.

Bring on the Heat.

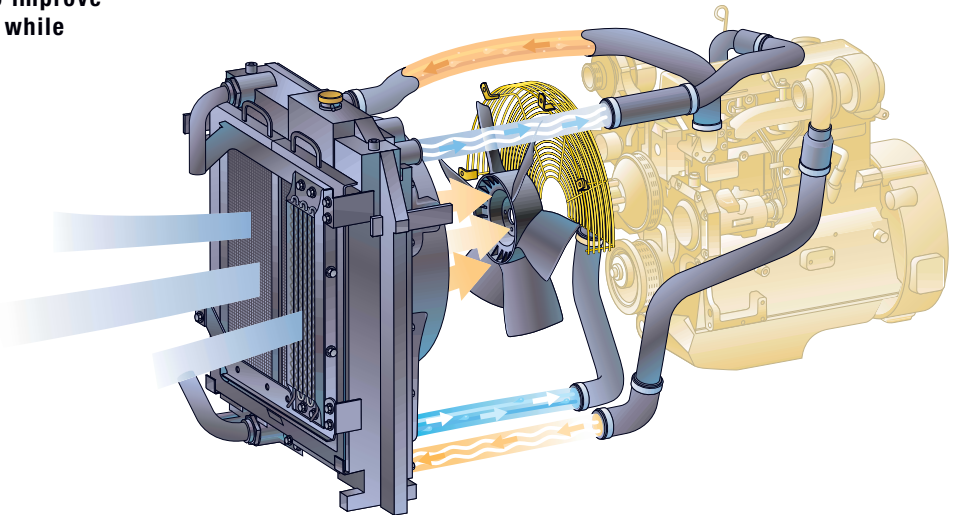


These excavators are very smart. A diagnostic display unit gives technicians the ability to read diagnostic codes and engine operating parameters such as fuel pressure, coolant temperature, and manifold temperature.



ENGINE & SYSTEMS

The John Deere PowerTech engine in the 120C and 160C LC is charge-air cooled to improve fuel economy and engine durability while reducing emissions.




The top and bottom tanks of the heavy-duty cooling system are heavy wall extrusions that are TIG welded to the core for maximum durability.

Wide fin spacing in the cooling system allows trash to pass through the cores, while a removable trash screen helps eliminate plugging.

Remember the old adage, “If you can’t take the heat, get out of the kitchen”? Well, these excavators will stay in the kitchen longer than a chef at a four-star restaurant. That’s due largely to the heavy-duty cooling system.

It features an aluminum bar-plate design with high-temp liquid-braze process for superior strength. There’s also the hybrid steel-and-plastic fan with an airfoil-blade design that results in more cooling performance while using less horsepower. Plus the fan runs much quieter, which may help you think about your next big project.

The John Deere 4.5-liter PowerTech turbocharged and charge-air-cooled engine provides steady power and meets the EPA and CARB emission non-road regulations. It’s just one more confidence-building feature that will help you cook up more business and higher profits.

A top-down view of the operator's seat and control area in a Deere machine cab. The seat is upholstered in a light-colored, textured fabric and features the 'DEERE' logo on the lower backrest. The seat is mounted on a base with six silicone fluid-filled elastic mounts. The control area includes two joysticks, a gear selector, and various buttons and switches. The overall design is functional and ergonomic.

The operator station floats on six silicone fluid-filled elastic mounts that take the shock out of the cab and make for very smooth operators.

Sit back and relax. With our new, adjustable lumbar support, you'll think you're cruising in a luxury car or SUV.

DEERE

There's plenty of glass in the operator station, giving you outstanding sight lines. Adjustable vents are everywhere. That makes it even easier for the "blend air" climate-control system to keep your working environment constantly comfortable.

**OPERATOR STATION**

Productivity Place.

Smoke-tinted sunroof hatch helps you keep an eye on overhead obstructions. Comes with a retractable shade to reduce glare.

We've thought of the little things, too: A 12-volt cellular phone jack, beverage cooler, and oversized cup holder are all standard equipment.



Operators need to be comfortable to do their best work. The C-Series cab really takes this philosophy to heart with a list of comfort features that goes from the retractable shade on the tinted sunroof right down to the self-cleaning floor mats.

The automatic, high-capacity “blend-air” climate control system keeps cab temperature right where you want it at all times. Plus, all the vents make it easy to “set it and forget it.” Next, take in what can only be described as “panoramic visibility.” That’s because C-Series Excavators have 28 percent more glass and a wiper blade that cleans 25 percent more of your viewing area before it tucks away out of sight. The sunroof also dramatically improves overhead visibility.

Now, sit a spell in the deluxe, cloth-covered seat and adjust it until it fits you like a glove. Feel the adjustable lumbar support massage your lower back and enjoy the wide armrests. Notice how all the controls are within easy reach? It’s time to kiss fatigue goodbye.

SERVICE

No Worries.

You've taken some risks to get where you are today: financing, bonding, acquiring that second piece of equipment, and bidding bigger jobs. With a John Deere extended warranty, we're going to give you one less thing to worry about — unbudgeted repair bills. Not only does Deere let you select the exact coverage you need, but also there's the peace of mind that comes from working under a manufacturer's warranty — not one that's backed by some insurance company. What's more, a John Deere warranty follows your machine wherever your work takes you. That makes warranty work hassle-free when done by a non-selling dealer.

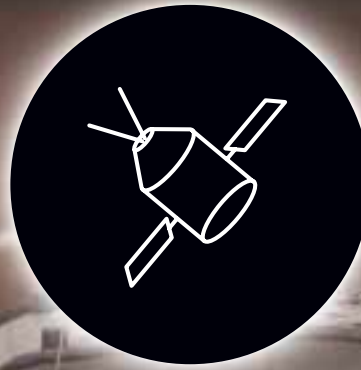
We know daily service prevents downtime, too. You'll find our lube points, filters, and dipsticks in convenient locations. Large, easy-to-open service doors ensure you won't struggle to reach the components you need to check. Bolted-on skid plates help you keep your footing while stepping or standing on the machine. We've also extended some key service intervals so you can spend more time in the cab making money than outside the cab marking time.

Take it personally: With John Deere's Customer Personal Service (CPS), you can customize programs and tools such as extended warranties, maintenance programs, parts availability programs, and more. It's customer service taken to a higher level.



Powdered-metal, oil-impregnated bushing in the front structure increases the greasing interval from 250 to 500 hours.

Service intervals have been extended. The first hydraulic oil change is at 4,000 hours and then every 2,000 hours thereafter.



Log-on to CPS-Online and you can e-mail your dealer, order parts, tech manual CDs, and training materials on a 24/7 basis.

Service doors with large handles help make service a snap.

We've arranged and grouped daily service points so that your daily walk-around is fast and easy.

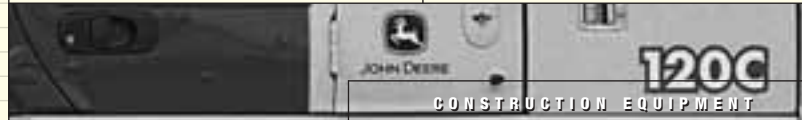
120C

JOHN

120C 160C LC

EXCAVATORS

SPECIFICATIONS



Engine	120C	160C LC
Type	John Deere 4045H with turbocharger and air-to-air charge air cooler; meets EPA and CARB emission non-road regulations	John Deere 4045H with turbocharger and air-to-air charge air cooler; meets EPA and CARB emission non-road regulations
Rated power	.89 SAE net hp (66 kW) @ 2,200 rpm	109 SAE net hp (81 kW) @ 2,300 rpm
Cylinders	4	4
Displacement	276 cu. in. (4.5 L)	276 cu. in. (4.5 L)
Maximum net torque	275 lb.-ft. (373 Nm) @ 1,400 rpm	302 lb.-ft. (410 Nm) @ 1,400 rpm
Fuel consumption, typical	2.0 to 3.0 gal./hr. (7.6 to 11.4 L/h)	3.0 to 5.0 gal./hr. (11.4 to 18.9 L/h)
Cooling fan	suction-type	suction-type
Electrical system	24 volt with 45-amp alternator	24 volt with 45-amp alternator
Batteries (two 12 volt)	reserve capacity: 180 min.	reserve capacity: 180 min.
Off-level capacity	100% (45 deg.)	100% (45 deg.)

Hydraulic System

Main pumps	two variable-displacement axial-piston	two variable-displacement axial-piston
Maximum flow	2 x 27.7 gpm (2 x 105 L/min.)	2 x 39.0 gpm (2 x 148 L/min.)
Pilot pump	one gear	one gear
Maximum rated flow	8.7 gpm (32.9 L/min.)	6.40 gpm (24.2 L/min.)
Pressure setting	570 psi (3930 kPa)	570 psi (3930 kPa)
System operating pressure		
Implement circuits	4,980 psi (34 336 kPa)	4,980 psi (34 336 kPa)
Travel circuits	4,980 psi (34 336 kPa)	4,980 psi (34 336 kPa)
Swing circuits	4,690 psi (32 337 kPa)	4,410 psi (30 406 kPa)
Oil filtration	one 10-micron full-flow return filter with by-pass / one pilot oil filter / one suction filter	one 10-micron full-flow return filter with by-pass / one pilot oil filter

Cylinders

Boom (2)		
Bore	4.13 in. (105 mm)	4.33 in. (110 mm)
Rod diameter	2.76 in. (70 mm)	3.15 in. (80 mm)
Stroke	37.0 in. (941 mm)	43.7 in. (1110 mm)
Arm (1)		
Bore	4.53 in. (115 mm)	4.72 in. (120 mm)
Rod diameter	3.15 in. (80 mm)	3.54 in. (90 mm)
Stroke	44.7 in. (1135 mm)	53.7 in. (1365 mm)
Bucket (1)		
Bore	3.94 in. (100 mm)	4.13 in. (105 mm)
Rod diameter	2.76 in. (70 mm)	2.76 in. (70 mm)
Stroke	34.40 in. (875 mm)	36.81 in. (935 mm)

Swing Mechanism

Swing speed	0–13.7 rpm	0–13.6 rpm
Swing torque	24,387 lb.-ft. (33 089 Nm)	29,850 lb.-ft. (40 500 Nm)

Undercarriage

Carrier rollers (per side)	1	2
Track rollers (per side)	7	7
Shoes (per side)	44	43
Track guides	front	front
Track adjustment	hydraulic	hydraulic
Travel speed		
Low	0–2.1 mph (0–3.4 km/h)	0–1.9 mph (0–3.1 km/h)
High	0–3.4 mph (0–5.5 km/h)	0–3.3 mph (0–5.3 km/h)
Drawbar pull	22,930 lb. (10 401 kg)	33,670 lb. (15 273 kg)

Ground Pressure Data

Average ground pressure	Without Blade	With Blade	
24-in. (600 mm) triple semi-grouser shoes	4.89 psi (33.7 kPa)	5.24 psi (36.1 kPa); recommended for rocky terrain, hard ground, and stumps	5.46 psi (37.6 kPa); recommended for rocky terrain, hard ground, and stumps
28-in. (700 mm) triple semi-grouser shoes	4.25 psi (29.3 kPa)	4.55 psi (31.4 kPa); recommended for general conditions and soft terrain	4.76 psi (32.8 kPa); recommended for general conditions and soft terrain
24-in. (600 mm) rubber crawler pad	5.17 psi (35.7 kPa)	5.87 psi (40.5 kPa)	

Capacities

Fuel tank	.66 gal. (250 L)	74 gal. (280 L)
Cooling system	.28 qt. (26.5 L)	28 qt. (26.5 L)
Engine lubrication, including filter	.15 qt. (14 L)	15 qt. (14 L)
Hydraulic tank	.20 gal. (76 L)	20 gal. (76 L)
Hydraulic system	.35 gal. (134 L)	44.9 gal. (170 L)
Propel gearbox (each)	3.4 qt. (3.2 L)	3.4 qt. (3.2 L)
Swing drive	2.6 qt. (2.8 L)	5 qt. (4.5 L)

Operating Weights

120C

160C LC

With full fuel tank and 175-lb. (79 kg) operator		
With 42-in. (1067 mm), 0.79-cu.-yd. (0.60 m ³), 925-lb. (420 kg) bucket; 9-ft. 11-in. (3.01 m) arm; 5,400-lb. (2450 kg) counterweight;		
11-ft. 9-in. (3.58 m) undercarriage length	<i>Without Blade</i>	<i>With Blade</i>
24-in. (600 mm) triple semi-grouser shoes.....	28,840 lb. (13 082 kg)	30,880 lb. (14 007 kg)
28-in. (700 mm) triple semi-grouser shoes.....	29,250 lb. (13 268 kg)	31,290 lb. (14 193 kg)
24-in. (600 mm) rubber crawler pad	30,500 lb. (13 839 kg)	32,540 lb. (14 764 kg)
With 36-in. (914 mm), 0.78-cu.-yd. (0.60 m ³), 1,096-lb. (497 kg) bucket; 10-ft. 2-in. (3.10 m) arm; 7,275-lb. (3300 kg) counterweight;		
12-ft. 10-in. (3.92 m) undercarriage length		
24-in. (600 mm) triple semi-grouser shoes.....		35,620 lb. (16 157 kg)
28-in. (700 mm) triple semi-grouser shoes.....		36,110 lb. (16 379 kg)

Component Weights

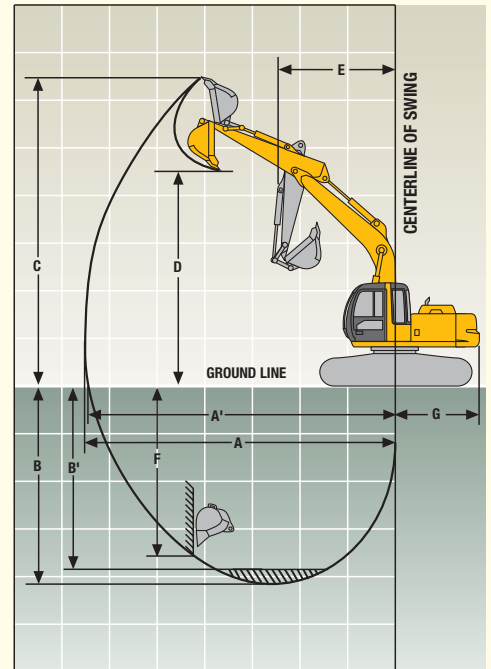
Undercarriage	<i>Without Blade</i>	<i>With Blade</i>	
24-in. (600 mm) triple semi-grouser shoes	9,525 lb. (4320 kg)	11,563 lb. (5245 kg)	13,274 lb. (6021 kg)
28-in. (700 mm) triple semi-grouser shoes	9,935 lb. (4506 kg)	11,973 lb. (5431 kg)	13,763 lb. (6243 kg)
24-in. (600 mm) rubber crawler pad	11,190 lb. (5077 kg)	13,228 lb. (6002 kg)	
Upperstructure with full fuel tank (less front attachments and counterweight)	8,790 lb. (3986 kg)		8,234 lb. (3735 kg)
One-piece boom (with arm cylinder).....	2,105 lb. (955 kg)		3,020 lb. (1370 kg)
Arm with bucket cylinder and linkage			
8 ft. 3 in. (2.52 m)	1,243 lb. (564 kg)		
8 ft. 6 in. (2.60 m).....			1,704 lb. (773 kg)
9 ft. 11 in. (3.01 m)	1,440 lb. (654 kg)		
10 ft. 2 in. (3.10 m).....			1,878 lb. (852 kg)
Boom lift cylinders (2) total weight.....	480 lb. (218 kg)		666 lb. (302 kg)
42-in. (1067 mm), 0.79-cu.-yd. (0.60 m ³) bucket.....	925 lb. (420 kg)		
36-in. (914 mm), 0.78-cu.-yd. (0.60 m ³) bucket.....			1,096 lb. (497 kg)
Counterweight.....	5,400 lb. (2450 kg)		7,275 lb. (3300 kg)

120C Operating Information

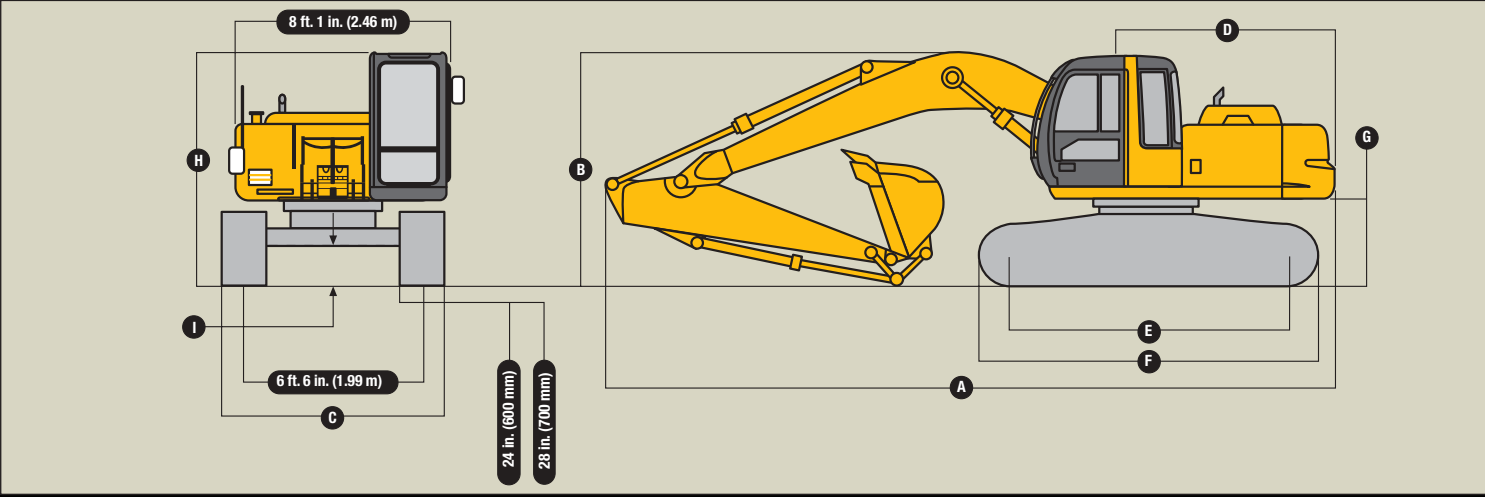
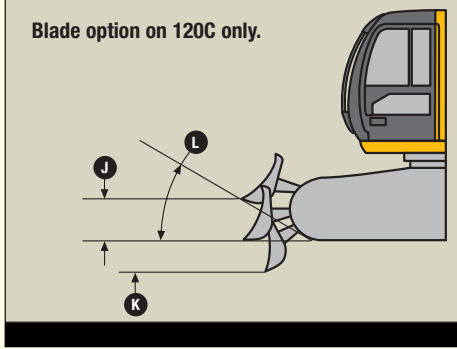
	<i>Arm Length</i> 8 ft. 3 in. (2.52 m)	<i>Arm Length</i> 9 ft. 11 in. (3.01 m)
Arm force with 42-in. (1067 mm), 0.79-cu. yd. (0.60 m ³) general-purpose bucket	14,620 lb. (65.0 kN)	13,172 lb. (58.6 kN)
Bucket digging force with 42-in. (1067 mm), 0.79-cu. yd. (0.60 m ³) general-purpose bucket	21,643 lb. (92.3 kN)	21,643 lb. (92.3 kN)
Lifting capacity over front @ ground level 20-ft. (6.1 m) reach, without blade	5,742 lb. (2605 kg)	5,734 lb. (2601 kg)
A Maximum reach	26 ft. 9 in. (8.145 m)	28 ft. 3 in. (8.615 m)
A' Maximum reach @ ground level.....	26 ft. 4 in. (8.015 m)	27 ft. 10 in. (8.495 m)
B Maximum digging depth.....	17 ft. 10 in. (5.445 m)	19 ft. 6 in. (5.935 m)
B' Maximum digging depth @ 8-ft. (2.44 m) flat bottom	17 ft. 2 in. (5.225 m)	18 ft. 10 in. (5.745 m)
C Maximum cutting height.....	27 ft. 8 in. (8.445 m)	28 ft. 9 in. (8.775 m)
D Maximum dumping height.....	20 ft. 7 in. (6.285 m)	21 ft. 8 in. (6.615 m)
E Minimum swing radius.....	7 ft. 8 in. (2.34 m)	8 ft. 6 in. (2.59 m)
F Maximum vertical wall	16 ft. 1 in. (4.895 m)	17 ft. 7 in. (5.375 m)
G Tail swing radius	7 ft. 0 in. (2.13 m)	7 ft. 0 in. (2.13 m)

160C LC Operating Information

	<i>Arm Length</i> 8 ft. 6 in. (2.60 m)	<i>Arm Length</i> 10 ft. 2 in. (3.10 m)
Arm force with 0.78-cu. yd. (0.60 m ³), 36-in. (914 mm) general-purpose bucket	18,600 lb. (82.7 kN)	16,715 lb. (74.3 kN)
Bucket digging force with 0.78-cu. yd. (0.60 m ³), 36-in. (900 mm) general-purpose bucket	23,200 lb. (103.2 kN)	23,200 lb. (103.2 kN)
Lifting capacity over front @ ground level 20-ft. (6.1 m) reach	8,013 lb. (3635 kg)	8,066 lb. (3659 kg)
A Maximum reach	28 ft. 8 in. (8.74 m)	30 ft. 2 in. (9.20 m)
A' Maximum reach @ ground level.....	28 ft. 1 in. (8.57 m)	29 ft. 8 in. (9.03 m)
B Maximum digging depth.....	19 ft. 2 in. (5.85 m)	20 ft. 10 in. (6.36 m)
B' Maximum digging depth @ 8-ft. (2.44 m) flat bottom	18 ft. 5 in. (5.61 m)	20 ft. 2 in. (6.14 m)
C Maximum cutting height.....	28 ft. 8 in. (8.75 m)	29 ft. 6 in. (8.94 m)
D Maximum dumping height.....	20 ft. 8 in. (6.31 m)	21 ft. 5 in. (6.54 m)
E Minimum swing radius.....	9 ft. 7 in. (2.92 m)	9 ft. 7 in. (2.92 m)
F Maximum vertical wall	16 ft. 6 in. (5.03 m)	18 ft. 3 in. (5.56 m)
G Tail swing radius	8 ft. 0 in. (2.44 m)	8 ft. 0 in. (2.44 m)



Dimensions	120C	160C LC
A With 8-ft. 3-in. (2.52 m) arm.....	25 ft. 0 in. (7.61 m)	
With 8-ft. 6-in. (2.60 m) arm.....		28 ft. 0 in. (8.53 m)
With 9-ft. 11-in. (3.01 m) arm.....	25 ft. 0 in. (7.62 m)	
With 10-ft. 2-in. (3.10 m) arm.....		28 ft. 1 in. (8.56 m)
B With 8-ft. 3-in. (2.52 m) arm.....	8 ft. 10 in. (2.68 m)	
With 8-ft. 6-in. (2.60 m) arm.....		9 ft. 5 in. (2.87 m)
With 9-ft. 11-in. (3.01 m) arm*.....	8 ft. 10 in. (2.68 m)	
With 10-ft. 2-in. (3.10 m) arm*.....		10 ft. 3 in. (3.11 m)
C With 24-in. (600 mm) triple semi-grouser shoes.....	8 ft. 6 in. (2.59 m)	8 ft. 6 in. (2.59 m)
With 28-in. (700 mm) triple semi-grouser shoes.....	8 ft. 10 in. (2.69 m)	8 ft. 10 in. (2.69 m)
With 24-in. (600 mm) rubber crawler pad.....	8 ft. 6 in. (2.59 m)	
D Rear-end length/swing radius.....	7 ft. 0 in. (2.13 m)	8 ft. 0 in. (2.44 m)
E Distance between idler/sprocket centerline.....	9 ft. 5 in. (2.88 m)	10 ft. 2 in. (3.10 m)
F Undercarriage length.....	11 ft. 9 in. (3.58 m)	12 ft. 10 in. (3.92 m)
G Counterweight clearance.....	2 ft. 11 in. (890 mm)	3 ft. 3 in. (1000 mm)
H Overall height of cab.....	9 ft. 0 in. (2740 mm)	9 ft. 5 in. (2880 mm)
I Minimum ground clearance.....	17 in. (440 mm)	19 in. (470 mm)
J Blade lift height.....	15 in. (380 mm)	
K Blade cut below grade.....	23 in. (580 mm)	
L Blade lift angle.....	17 degrees	
Blade length.....	8 ft. 2 in. (2.48 m)	
Blade height.....	25 in. (640 mm)	
Blade width		
With 24-in. (600 mm) triple semi-grouser shoes/rubber crawler pad.....	8 ft. 6 in. (2.59 m)	
With 28-in. (700 mm) triple semi-grouser shoes.....	8 ft. 10 in. (2.69 m)	
*Arm pinned in shipping position.		



120C Lift Capacities

Boldface italic type indicates hydraulic-limited capacities; lightface type indicates stability-limited capacities, in lb. (kg). Ratings at bucket lift hook, machine equipped with 0.79-cu. yd. (0.60 m³), 42-in. (1067 mm) wide, 925-lb. (420 kg) bucket; and situated on firm, uniform supporting surface. Total load includes weight of cables, hook, etc. Figures do not exceed 87 percent of hydraulic capacities or 75 percent of weight needed to tip machine. Ratings are based on SAE J1097.

Load Point Height	5 ft. (1.52 m)		10 ft. (3.05 m)		15 ft. (4.57 m)		20 ft. (6.10 m)		25 ft. (7.62 m)	
	Over Front	Over Side	Over Front	Over Side	Over Front	Over Side	Over Front	Over Side	Over Front	Over Side
<i>With 8-ft. 3-in. (2.52 m) arm and 24-in. (600 mm) shoes, without blade</i>										
20 ft. (6.10 m)					5,717 (2593)	5,717 (2593)	5,700 (2585)	4,187 (1899)		
15 ft. (4.57 m)					5,738 (2603)	5,738 (2603)	6,120 (2776)	4,067 (1845)		
10 ft. (3.05 m)					7,220 (3275)	6,739 (3057)	6,120 (2776)	4,067 (1845)		
5 ft. (1.52 m)					9,476 (4298)	6,177 (2802)	5,876 (2665)	3,840 (1742)		
Ground Line			10,024 (4547)	10,024 (4547)	8,970 (4069)	5,721 (2595)	5,647 (2561)	3,628 (1646)		
-5 ft. (-1.52 m)	6,914 (3136)	6,914 (3136)	17,858 (8100)	10,632 (4823)	8,747 (3968)	5,522 (2505)	5,525 (2506)	3,515 (1594)		
-10 ft. (-3.05 m)	13,809 (6264)	13,809 (6264)	15,529 (7044)	10,802 (4900)	8,777 (3981)	5,549 (2517)	5,589 (2535)	3,574 (1621)		
-15 ft. (-4.57 m)			10,539 (4780)	10,539 (4780)						

120C Lift Capacities (continued)

Boldface italic type indicates hydraulic-limited capacities; lightface type indicates stability-limited capacities, in lb. (kg). Ratings at bucket lift hook, machine equipped with 0.79-cu. yd. (0.60 m³), 42-in. (1067 mm) wide, 925-lb. (420 kg) bucket; and situated on firm, uniform supporting surface. Total load includes weight of cables, hook, etc. Figures do not exceed 87 percent of hydraulic capacities or 75 percent of weight needed to tip machine. Ratings are based on SAE J1097.

Load Point Height	5 ft. (1.52 m)		10 ft. (3.05 m)		15 ft. (4.57 m)		20 ft. (6.10 m)		25 ft. (7.62 m)	
	Over Front	Over Side	Over Front	Over Side	Over Front	Over Side	Over Front	Over Side	Over Front	Over Side
<i>With 9-ft. 11-in. (3.01 m) arm and 24-in. (600 mm) shoes, without blade</i>										
15 ft. (4.57 m)							5,224 (2370)	4,276 (1940)		
10 ft. (3.05 m)					6,240 (2830)	6,240 (2830)	5,792 (2627)	4,122 (1870)	3,326 (1509)	2,603 (1181)
5 ft. (1.52 m)					8,599 (3900)	6,291 (2854)	5,912 (2682)	3,867 (1754)	3,979 (1805)	2,519 (1143)
Ground Line			12,637 (5732)	10,797 (4897)	9,013 (4088)	5,750 (2608)	5,640 (2558)	3,614 (1639)	3,870 (1755)	2,416 (1096)
-5 ft. (-1.52 m)	6,513 (2954)	6,513 (2954)	16,617 (7537)	10,490 (4758)	8,693 (3943)	5,464 (2478)	5,467 (2480)	3,455 (1567)		
-10 ft. (-3.05 m)	14,186 (6435)	14,186 (6435)	16,606 (7532)	10,571 (4795)	8,645 (3921)	5,421 (2459)	5,451 (2473)	3,440 (1560)		
-15 ft. (-4.57 m)			12,654 (5740)	10,941 (4963)	8,492 (3852)	5,624 (2551)				
<i>With 8-ft. 3-in. (2.52 m) arm, 28-in. (700 mm) shoes, and 24-in. (600 mm) rubber crawler pad, without blade</i>										
20 ft. (6.10 m)					5,717 (2593)	5,717 (2593)				
15 ft. (4.57 m)					5,738 (2603)	5,738 (2603)	5,700 (2585)	4,252 (1929)		
10 ft. (3.05 m)					7,220 (3275)	6,832 (3099)	6,215 (2819)	4,132 (1874)		
5 ft. (1.52 m)					9,476 (4298)	6,270 (2844)	5,971 (2708)	3,906 (1772)		
Ground Line			10,024 (4547)	10,024 (4547)	9,110 (4132)	5,815 (2638)	5,742 (2605)	3,693 (1675)		
-5 ft. (-1.52 m)	6,914 (3136)	6,914 (3136)	17,858 (8100)	10,797 (4897)	8,888 (4032)	5,616 (2547)	5,620 (2549)	3,580 (1624)		
-10 ft. (-3.05 m)	13,809 (6264)	13,809 (6264)	15,529 (7044)	10,968 (4975)	8,918 (4045)	5,642 (2559)	5,683 (2578)	3,639 (1651)		
-15 ft. (-4.57 m)			10,539 (4780)	10,539 (4780)						
<i>With 9-ft. 11-in. (3.01 m) arm, 28-in. (700 mm) shoes, and 24-in. (600 mm) rubber crawler pad, without blade</i>										
15 ft. (4.57 m)							5,224 (2370)	4,342 (1969)		
10 ft. (3.05 m)					6,240 (2830)	6,240 (2830)	5,792 (2627)	4,188 (1900)	3,326 (1509)	2,653 (1203)
5 ft. (1.52 m)					8,599 (3900)	6,384 (2896)	6,007 (2725)	3,932 (1784)	4,051 (1837)	2,569 (1165)
Ground Line			12,637 (5732)	10,692 (4850)	9,154 (4152)	5,843 (2650)	5,734 (2601)	3,680 (1669)	3,941 (1788)	2,466 (1119)
-5 ft. (-1.52 m)	6,513 (2954)	6,513 (2954)	16,617 (7537)	10,655 (4833)	8,834 (4007)	5,557 (2521)	5,562 (2523)	3,520 (1597)		
-10 ft. (-3.05 m)	14,186 (6435)	14,186 (6435)	16,606 (7532)	10,737 (4870)	8,786 (3985)	5,515 (2502)	5,546 (2516)	3,505 (1590)		
-15 ft. (-4.57 m)			12,654 (5740)	11,107 (5038)	8,492 (3852)	5,718 (2594)				
<i>With 8-ft. 3-in. (2.52 m) arm and 24-in. (600 mm) shoes, blade on ground</i>										
20 ft. (6.10 m)					5,717 (2593)	5,717 (2593)				
15 ft. (4.57 m)					5,738 (2603)	5,738 (2603)	5,700 (2585)	4,514 (2048)		
10 ft. (3.05 m)					7,220 (3275)	7,209 (3270)	6,428 (2916)	4,394 (1993)		
5 ft. (1.52 m)					9,476 (4298)	6,647 (3015)	7,338 (3328)	4,168 (1891)		
Ground Line			10,024 (4547)	10,024 (4547)	11,241 (5099)	6,191 (2808)	8,157 (3700)	3,956 (1794)		
-5 ft. (-1.52 m)	6,914 (3136)	6,914 (3136)	17,858 (8100)	11,463 (5200)	11,702 (5308)	5,992 (2718)	8,368 (3796)	3,843 (1743)		
-10 ft. (-3.05 m)	13,809 (6264)	13,809 (6264)	15,529 (7044)	11,634 (5277)	10,657 (4834)	6,019 (2730)	6,949 (3152)	3,902 (1770)		
-15 ft. (-4.57 m)			10,539 (4780)	10,539 (4780)						
<i>With 9-ft. 11-in. (3.01 m) arm and 24-in. (600 mm) shoes, blade on ground</i>										
15 ft. (4.57 m)							5,224 (2370)	4,604 (2088)		
10 ft. (3.05 m)					6,240 (2830)	6,240 (2830)	5,792 (2627)	4,450 (2018)	3,326 (1509)	2,854 (1295)
5 ft. (1.52 m)					8,599 (3900)	6,761 (3067)	6,814 (3091)	4,194 (1902)	5,038 (2285)	2,771 (1257)
Ground Line			12,637 (5732)	11,628 (5274)	10,690 (4849)	6,220 (2821)	7,806 (3541)	3,942 (1788)	5,359 (2431)	2,668 (1210)
-5 ft. (-1.52 m)	6,513 (2954)	6,513 (2954)	16,617 (7537)	11,321 (5135)	11,594 (5259)	5,934 (2692)	8,296 (3763)	3,782 (1715)		
-10 ft. (-3.05 m)	14,186 (6435)	14,186 (6435)	16,606 (7532)	11,403 (5172)	11,080 (5026)	5,891 (2672)	7,772 (3525)	3,768 (1709)		
-15 ft. (-4.57 m)			12,654 (5740)	11,773 (5340)	8,492 (3852)	6,094 (2764)				
<i>With 8-ft. 3-in. (2.52 m) arm, 28-in. (700 mm) shoes, and 24-in. (600 mm) rubber crawler pad, blade on ground</i>										
20 ft. (6.10 m)					5,717 (2593)	5,717 (2593)				
15 ft. (4.57 m)					5,738 (2603)	5,738 (2603)	5,700 (2585)	4,579 (2077)		
10 ft. (3.05 m)					7,220 (3275)	7,220 (3275)	6,428 (2916)	4,459 (2023)		
5 ft. (1.52 m)					9,476 (4298)	6,740 (3057)	7,338 (3328)	4,233 (1920)		
Ground Line			10,024 (4547)	10,024 (4547)	11,241 (5099)	6,285 (2851)	8,157 (3700)	4,021 (1824)		
-5 ft. (-1.52 m)	6,914 (3136)	6,914 (3136)	17,858 (8100)	11,628 (5274)	11,702 (5308)	6,086 (2761)	8,368 (3796)	3,908 (1773)		
-10 ft. (-3.05 m)	13,809 (6264)	13,809 (6264)	15,529 (7044)	11,799 (5352)	10,657 (4834)	6,112 (2772)	6,949 (3152)	3,967 (1799)		
-15 ft. (-4.57 m)			10,539 (4780)	10,539 (4780)						
<i>With 9-ft. 11-in. (3.01 m) arm, 28-in. (700 mm) shoes, and 24-in. (600 mm) rubber crawler pad, blade on ground</i>										
15 ft. (4.57 m)							5,224 (2370)	4,669 (2118)		
10 ft. (3.05 m)					6,240 (2830)	6,240 (2830)	5,792 (2627)	4,515 (2048)	3,326 (1509)	2,904 (1317)
5 ft. (1.52 m)					8,599 (3900)	6,354 (3109)	6,814 (3091)	4,259 (1932)	5,038 (2285)	2,821 (1280)
Ground Line			12,637 (5732)	11,793 (5349)	10,690 (4849)	6,313 (2864)	7,806 (3541)	4,007 (1818)	5,359 (2431)	2,718 (1233)
-5 ft. (-1.52 m)	6,513 (2954)	6,513 (2954)	16,617 (7537)	11,487 (5210)	11,594 (5259)	6,027 (2734)	8,296 (3763)	3,847 (1745)		
-10 ft. (-3.05 m)	14,186 (6435)	14,186 (6435)	16,606 (7532)	11,568 (5247)	11,080 (5026)	5,984 (2714)	7,772 (3525)	3,833 (1739)		
-15 ft. (-4.57 m)			12,654 (5740)	11,938 (5415)	8,492 (3852)	6,188 (2807)				

160C LC Lift Capacities

Boldface italic type indicates hydraulic-limited capacities; lightface type indicates stability-limited capacities, in lb. (kg). Ratings at bucket lift hook, machine equipped with 0.78-cu. yd. (0.60 m³), 36-in. (900 mm) wide, 1,096-lb. (497 kg) bucket; and situated on firm, uniform supporting surface. Total load includes weight of cables, hook, etc. Figures do not exceed 87 percent of hydraulic capacities or 75 percent of weight needed to tip machine. Ratings are based on SAE J1097.

Load Point Height	5 ft. (1.52 m)		10 ft. (3.05 m)		15 ft. (4.57 m)		20 ft. (6.10 m)		25 ft. (7.62 m)	
	Over Front	Over Side	Over Front	Over Side	Over Front	Over Side	Over Front	Over Side	Over Front	Over Side
<i>With 8-ft. 6-in. (2.60 m) arm and 24-in. (600 mm) shoes</i>										
15 ft. (4.57 m)							6,629 (3007)	5,944 (2696)		
10 ft. (3.05 m)			13,261 (6015)	13,261 (6015)	9,070 (4114)	9,070 (4114)	7,636 (3464)	5,659 (2567)	5,083 (2306)	3,704 (1680)
5 ft. (1.52 m)					12,214 (5540)	8,322 (3775)	8,694 (3944)	5,291 (2400)	5,982 (2713)	3,565 (1617)
Ground Line					13,249 (6010)	7,752 (3516)	8,361 (3793)	4,988 (2263)	5,842 (2650)	3,435 (1558)
-5 ft. (-1.52 m)			17,223 (7812)	14,626 (6634)	13,021 (5906)	7,556 (3427)	8,197 (3718)	4,840 (2195)		
-10 ft. (-3.05 m)	18,856 (8553)	18,856 (8553)	20,665 (9374)	14,910 (6763)	13,101 (5943)	7,624 (3458)	8,250 (3742)	4,888 (2217)		
-15 ft. (-4.57 m)			16,081 (7294)	15,494 (7028)	11,152 (5059)	7,987 (3623)				

With 8-ft. 6-in. (2.60 m) arm and 28-in. (700 mm) shoes

15 ft. (4.57 m)							6,629 (3007)	6,023 (2732)		
10 ft. (3.05 m)			13,261 (6015)	13,261 (6015)	9,070 (4114)	9,070 (4114)	7,636 (3464)	5,738 (2603)	5,083 (2306)	3,765 (1708)
5 ft. (1.52 m)					12,214 (5540)	8,436 (3827)	8,819 (4000)	5,370 (2436)	6,076 (2756)	3,626 (1645)
Ground Line					13,437 (6095)	7,866 (3568)	8,486 (3849)	5,068 (2299)	5,935 (2692)	3,495 (1585)
-5 ft. (-1.52 m)			17,223 (7812)	14,828 (6726)	13,209 (5992)	7,669 (3479)	8,322 (3775)	4,919 (2231)		
-10 ft. (-3.05 m)	18,856 (8553)	18,856 (8553)	20,665 (9374)	15,112 (6855)	13,289 (6028)	7,738 (3510)	8,375 (3799)	4,967 (2253)		
-15 ft. (-4.57 m)			16,081 (7294)	15,695 (7119)	11,152 (5059)	8,100 (3674)				

With 10-ft. 2-in. (3.10 m) arm and 24-in. (600 mm) shoes

20 ft. (6.10 m)							5,585 (2533)	5,585 (2533)		
15 ft. (4.57 m)							5,825 (2642)	5,825 (2642)	6,073 (2755)	3,802 (1725)
10 ft. (3.05 m)					7,871 (3570)	7,871 (3570)	6,921 (3139)	5,797 (2630)	6,046 (2742)	3,621 (1642)
5 ft. (1.52 m)					11,141 (5054)	8,544 (3876)	8,442 (3829)	5,390 (2445)	5,860 (2658)	3,448 (1564)
Ground Line			10,402 (4718)	10,402 (4718)	13,358 (6059)	7,840 (3556)	8,413 (3816)	5,031 (2282)	5,760 (2613)	3,356 (1522)
-5 ft. (-1.52 m)	7,664 (3476)	7,664 (3476)	17,080 (7747)	14,435 (6548)	12,995 (5895)	7,525 (3413)	8,182 (3711)	4,822 (2187)		
-10 ft. (-3.05 m)	16,271 (7381)	16,271 (7381)	21,897 (9932)	14,628 (6635)	12,977 (5886)	7,510 (3407)	8,155 (3699)	4,797 (2176)		
-15 ft. (-4.57 m)			18,222 (8265)	15,121 (6859)	12,537 (5687)	7,763 (3521)				

With 10-ft. 2-in. (3.10 m) arm and 28-in. (700 mm) shoes

20 ft. (6.10 m)							5,585 (2533)	5,585 (2533)		
15 ft. (4.57 m)							5,825 (2642)	5,825 (2642)	6,073 (2755)	3,862 (1752)
10 ft. (3.05 m)					7,871 (3570)	7,871 (3570)	6,921 (3139)	5,876 (2665)	6,140 (2785)	3,681 (1670)
5 ft. (1.52 m)					11,141 (5054)	8,657 (3927)	8,442 (3829)	5,469 (2481)	5,953 (2700)	3,509 (1592)
Ground Line			10,402 (4718)	10,402 (4718)	13,546 (6144)	7,954 (3608)	8,538 (3873)	5,111 (2318)	5,854 (2655)	3,416 (1549)
-5 ft. (-1.52 m)	7,664 (3476)	7,664 (3476)	17,080 (7747)	14,637 (6639)	13,183 (5980)	7,639 (3465)	8,307 (3768)	4,901 (2223)		
-10 ft. (-3.05 m)	16,271 (7381)	16,271 (7381)	21,897 (9932)	14,829 (6726)	13,165 (5972)	7,624 (3458)	8,280 (3756)	4,876 (2212)		
-15 ft. (-4.57 m)			18,222 (8265)	15,323 (6951)	12,537 (5687)	7,877 (3573)				

120C Buckets

A full line of buckets is offered to meet a wide variety of applications. The buckets have an adjustable bushing for side clearance, with the exception of the ditching bucket. Tooth selection includes either the John Deere Fanggs® or the ESCO (Helilok) Standard tooth. Replaceable cutting edges are available through John Deere parts. Optional side cutters add 6 inches (150 mm) to bucket widths.

Type Bucket	Bucket Width		Bucket Capacity*		Weight		Bucket Dig Force		Arm Dig Force 8 ft. 3 in. (2.52 m)		Arm Dig Force 9 ft. 11 in. (3.01 m)		Bucket Tip Radius		No. Teeth
	in.	mm	cu. yd.	m ³	lb.	kg	lb.	kN	lb.	kN	lb.	kN	in.	mm	
General-Purpose	18	460	0.34	0.26	723	328	18,675	83.1	13,639	60.7	12,644	56.3	50.0	1270	3
Plate Lip	24	610	0.50	0.38	893	405	18,675	83.1	13,639	60.7	12,644	56.3	50.0	1270	4
	30	760	0.64	0.49	1,066	484	18,675	83.1	13,639	60.7	12,644	56.3	50.0	1270	4
	36	915	0.78	0.60	1,081	490	18,675	83.1	13,639	60.7	12,644	56.3	50.0	1270	5
	42	1065	0.79	0.60	926	420	21,463	92.3	14,620	65.0	13,172	58.6	43.5	1105	6
	42	1065	0.92	0.70	1,000	453	18,675	83.1	13,639	60.7	12,644	56.3	50.0	1270	6
	48	1220	1.06	0.81	1,441	654	18,675	83.1	13,639	60.7	12,644	56.3	50.0	1270	7
Heavy-Duty	18	460	0.34	0.26	869	394	18,675	83.1	13,639	60.7	12,644	56.3	50.0	1270	3
Plate Lip	24	610	0.50	0.38	938	425	18,675	83.1	13,639	60.7	12,644	56.3	50.0	1270	4
	30	760	0.64	0.49	1,122	509	18,675	83.1	13,639	60.7	12,644	56.3	50.0	1270	4
	36	915	0.78	0.60	1,298	589	18,675	83.1	13,639	60.7	12,644	56.3	50.0	1270	5
Ditching	48	1220	0.67	0.51	841	381	25,230	112.2	14,948	66.5	13,722	61.0	37.0	940	0
	60	1525	0.90	0.69	937	425	25,230	112.2	14,948	66.5	13,722	61.0	37.0	940	0

*All capacities are SAE heaped ratings.

160C LC Buckets

A full line of buckets is offered to meet a wide variety of applications. The buckets have an adjustable bushing for side clearance, with the exception of the ditching bucket. Tooth selection includes either the John Deere Fanggs® or the ESCO (Helilok) Standard tooth. Replaceable cutting edges are available through John Deere parts. Optional side cutters add 6 inches (150 mm) to bucket widths.

Type Bucket	Bucket Width		Bucket Capacity*		Weight		Bucket Dig Force		Arm Dig Force 8 ft. 6 in. (2.60 m)		Arm Dig Force 10 ft. 2 in. (3.10 m)		Bucket Tip Radius		No. Teeth
	in.	mm	cu. yd.	m ³	lb.	kg	lb.	kN	lb.	kN	lb.	kN	in.	mm	
General-Purpose Plate Lip	24	610	0.50	0.38	899	408	23,200	103.2	18,600	82.7	16,715	74.3	50.5	1283	4
	30	760	0.64	0.49	1068	484	23,200	103.2	18,600	82.7	16,715	74.3	50.5	1283	4
	36	915	0.78	0.60	1096	497	23,200	103.2	18,600	82.7	16,715	74.3	50.5	1283	5
	42	1065	0.92	0.70	1253	568	23,200	103.2	18,600	82.7	16,715	74.3	50.5	1283	6
	48	1220	1.06	0.81	1399	635	23,200	103.2	18,600	82.7	16,715	74.3	50.5	1283	7
General-Purpose High Capacity	24	610	0.59	0.45	1106	502	21,110	93.9	18,010	80.1	16,245	72.3	55.5	1410	4
	30	760	0.77	0.59	1182	536	21,110	93.9	18,010	80.1	16,245	72.3	55.5	1410	4
	36	915	0.95	0.73	1401	635	21,110	93.9	18,010	80.1	16,245	72.3	55.5	1410	5
	42	1065	1.12	0.86	1590	721	21,110	93.9	18,010	80.1	16,245	72.3	55.5	1410	6
	48	1220	1.30	0.99	1400	635	23,200	103.2	18,600	82.7	16,715	74.3	50.5	1283	6
Heavy-Duty Plate Lip	24	610	0.59	0.45	1390	630	21,110	93.9	18,010	80.1	16,245	72.3	55.5	1410	4
	30	760	0.77	0.59	1481	672	21,110	93.9	18,010	80.1	16,245	72.3	55.5	1410	4
	36	915	0.95	0.73	1558	707	21,110	93.9	18,010	80.1	16,245	72.3	55.5	1410	5
	42	1065	1.12	0.86	1617	733	21,110	93.9	18,010	80.1	16,245	72.3	55.5	1410	5
Ditching	60	1525	0.90	0.69	959	435	31,665	140.9	20,400	90.7	18,135	80.7	37.0	940	0
	72	1829	1.06	0.81	1087	493	30,845	137.2	20,260	90.1	18,020	80.2	38.0	965	0

*All capacities are SAE heaped ratings.

Bucket Selection Guide

120C

160C LC

Recommended Bucket Size* Material (loose weight)	120C		160C LC	
	General-Purpose Bucket	Heavy-Duty Bucket	General-Purpose Bucket	Heavy-Duty Bucket
Wood chips – 700 lb./cu. yd. (420 kg/m ³).....	3.25 cu. yd. (2.5 m ³)	—	4.00 cu. yd. (3.1 m ³)	—
Peat, dry – 750 lb./cu. yd. (440 kg/m ³).....	2.75 cu. yd. (2.1 m ³)	—	3.50 cu. yd. (2.7 m ³)	—
Cinders – 950 lb./cu. yd. (560 kg/m ³).....	2.00 cu. yd. (1.5 m ³)	—	2.50 cu. yd. (1.9 m ³)	—
Peat, wet – 1,170 lb./cu. yd. (690 kg/m ³).....	1.75 cu. yd. (1.3 m ³)	—	2.25 cu. yd. (1.7 m ³)	—
Topsoil – 1,600 lb./cu. yd. (950 kg/m ³).....	1.38 cu. yd. (1.1 m ³)	—	1.75 cu. yd. (1.3 m ³)	—
Coal – 1,780 lb./cu. yd. (1050 kg/m ³).....	1.25 cu. yd. (1.0 m ³)	—	1.50 cu. yd. (1.1 m ³)	—
Caliche – 2,100 lb./cu. yd. (1250 kg/m ³).....	0.63–0.88 cu. yd. (0.5–0.7 m ³)	0.50–0.75 cu. yd. (0.4–0.6 m ³)	0.88–1.12 cu. yd. (0.7–0.9 m ³)	0.75–1.00 cu. yd. (0.6–0.8 m ³)
Earth, loam – 2,100 lb./cu. yd. (1250 kg/m ³).....	0.88 cu. yd. (0.7 m ³)	0.75 cu. yd. (0.6 m ³)	1.12 cu. yd. (0.9 m ³)	1.00 cu. yd. (0.8 m ³)
Shale – 2,250 lb./cu. yd. (1330 kg/m ³).....	0.88 cu. yd. (0.7 m ³)	0.75 cu. yd. (0.6 m ³)	1.12 cu. yd. (0.9 m ³)	1.00 cu. yd. (0.8 m ³)
Sand, dry – 2,400 lb./cu. yd. (1420 kg/m ³).....	0.88 cu. yd. (0.7 m ³)	0.75 cu. yd. (0.6 m ³)	1.12 cu. yd. (0.9 m ³)	1.00 cu. yd. (0.8 m ³)
Clay, dry – 2,500 lb./cu. yd. (1480 kg/m ³).....	0.63–0.88 cu. yd. (0.5–0.7 m ³)	0.75 cu. yd. (0.6 m ³)	0.75–1.00 cu. yd. (0.6–0.8 m ³)	0.88 cu. yd. (0.7 m ³)
Earth, dry – 2,550 lb./cu. yd. (1510 kg/m ³).....	0.63–0.75 cu. yd. (0.5–0.6 m ³)	0.63 cu. yd. (0.5 m ³)	0.88–1.00 cu. yd. (0.7–0.8 m ³)	0.88 cu. yd. (0.7 m ³)
Limestone, broken or crushed – 2,600 lb./ cu. yd. (1540 kg/m ³).....	0.50–0.75 cu. yd. (0.4–0.6 m ³)	0.50–0.63 cu. yd. (0.4–0.5 m ³)	0.75–1.00 cu. yd. (0.6–0.8 m ³)	0.63–0.88 cu. yd. (0.5–0.7 m ³)
Earth, wet – 2,700 lb./cu. yd. (1600 kg/m ³).....	0.75 cu. yd. (0.6 m ³)	0.63 cu. yd. (0.5 m ³)	1.00 cu. yd. (0.8 m ³)	0.88 cu. yd. (0.7 m ³)
Clay, wet – 2,800 lb./cu. yd. (1660 kg/m ³).....	0.75 cu. yd. (0.6 m ³)	0.63 cu. yd. (0.5 m ³)	1.00 cu. yd. (0.8 m ³)	0.88 cu. yd. (0.7 m ³)
Rock, granite, blasted and broken – 2,800 lb./ cu. yd. (1660 kg/m ³).....	0.63–0.88 cu. yd. (0.5–0.7 m ³)	0.50–0.75 cu. yd. (0.4–0.6 m ³)	0.88–1.12 cu. yd. (0.7–0.9 m ³)	0.75–1.00 cu. yd. (0.6–0.8 m ³)
Sand, moist – 2,850 lb./cu. yd. (1690 kg/m ³).....	0.75 cu. yd. (0.6 m ³)	0.63 cu. yd. (0.5 m ³)	1.00 cu. yd. (0.8 m ³)	0.88 cu. yd. (0.7 m ³)
Sand and gravel, dry – 2,900 lb./cu. yd. (1720 kg/m ³).....	0.75 cu. yd. (0.6 m ³)	0.63 cu. yd. (0.5 m ³)	1.00 cu. yd. (0.8 m ³)	0.88 cu. yd. (0.7 m ³)
Sand, wet – 3,100 lb./cu. yd. (1840 kg/m ³).....	0.63 cu. yd. (0.5 m ³)	0.50 cu. yd. (0.4 m ³)	0.88 cu. yd. (0.7 m ³)	0.75 cu. yd. (0.6 m ³)
Sand and gravel, wet – 3,400 lb./cu. yd. (2020 kg/m ³).....	0.63 cu. yd. (0.5 m ³)	0.50 cu. yd. (0.4 m ³)	0.88 cu. yd. (0.7 m ³)	0.75 cu. yd. (0.6 m ³)

*Contact your John Deere dealer for optimum bucket and attachment selections. These recommendations are for general conditions and average use. Larger buckets may be possible when using light buckets; and for flat and level operations, less compacted materials, and volume loading applications such as mass excavation in ideal conditions. Smaller buckets are recommended for adverse conditions such as off-level applications and uneven surfaces. Bucket capacity indicated is SAE heaped.

120C / 160C LC Excavators

Key: ● Standard equipment ▲ Optional or special equipment

*See your John Deere dealer for further information.

120C 160C LC Engine

- ● Meets EPA and CARB emission non-road regulations
- ● Auto-idle system
- ● Automatic belt tension device
- ● Batteries (two 12 volt), 180-min. (1,250 CCA) reserve capacity
- ● Charge air cooler
- ● Dual element dry-type air filter
- ● Enclosed fan guard (conforms to SAE J1308)
- ● Engine coolant to -34°F (-37°C)
- ● Fuel filter with water separator
- ● Full-flow oil filter
- ● Radiator trash screen
- ● Turbocharger
- ● Underhood muffler with vertical curved end exhaust stack
- ▲ ▲ Electric ether starting aid
- ▲ ▲ Engine coolant heater

Hydraulic System

- ● Auxiliary valve section
- ● Hydraulic pilot controls
- ● Reduced-drift valve for boom down, arm in
- ● Spring-applied, hydraulically released automatic swing brake
- ▲ ▲ Auxiliary hydraulic and electric pilot controls
- ▲ ▲ Hydraulic filter restriction indicator kit
- ▲ ▲ Load-lowering control device
- ▲ ▲ Single pedal propel control

Undercarriage

- ● Planetary final drive with axial piston motors
- ● Propel motor shields
- ● Track guides, front idler
- ● Triple semi-grouser shoes, 24 in. (600 mm)
- ▲ ▲ Triple semi-grouser shoes, 28 in. (700 mm)
- ▲ ▲ Rubber crawler pad, 24 in. (600 mm)
- ● Two-speed propel with automatic shift
- ● Upper carrier roller (1)
- ● Upper carrier rollers (2)
- ▲ ▲ Undercarriage with blade

Upperstructure

- Counterweight, 5,400 lb. (2450 kg)
- Counterweight, 7,275 lb. (3300 kg)

120C 160C LC Upperstructure (continued)

- ● Right- and left-hand mirrors
- ● Toolbox
- ● Vandal locks with ignition key: Cab door / Engine hood / Fuel cap / Service doors / Toolbox

Front Attachments

- ● Bucket-to-arm clearance adjustable bushing (except ditching buckets)
- ● Centralized lubrication system
- ● Dirt seals on all bucket pins
- ● No-boom-arm
- ▲ ▲ Arm, 8 ft. 3 in. (2.52 m)
- ▲ ▲ Arm, 8 ft. 6 in. (2.60 m)
- ▲ ▲ Arm, 9 ft. 11 in. (3.01 m)
- ▲ ▲ Arm, 10 ft. 2 in. (3.10 m)
- ▲ ▲ Attachment quick couplers
- ▲ ▲ Auxiliary hydraulic lines with shutoff valve
- ▲ ▲ Boom cylinder with plumbing to mainframe
- ▲ ▲ Buckets: Ditching / General purpose / General-purpose high capacity / Heavy duty / Heavy-duty high capacity / Severe-duty cast lip / Severe-duty plate lip / Side cutters and teeth
- ▲ ▲ Heavy-duty grapple
- ▲ ▲ Hydraulic bucket material clamps
- ▲ ▲ Hydraulic coupler

Operator's Station

- ● Adjustable seat with independent control positions (levers-to-seat, seat-to-pedals)
- ● AM/FM stereo
- ● Auto climate control/air conditioner, 20,000 Btu/hr. (5.9 kW), heater and pressurizer
- ● Cell-phone power outlet, 12 volt, 60 watt, 5 amp
- ● Coat hook
- ● Deluxe suspension cloth seat with 4-in. (100 mm) adjustable armrests and lumbar support
- ● Front windshield wiper with intermittent speed
- ● Gauges (illuminated): Engine coolant / Fuel

120C 160C LC Operator's Station (continued)

- ● Horn, electric on left control lever
- ● Hot/cool-box compartment
- ● Hourmeter, electric
- ● Hydraulic shutoff lever, all controls
- ● Interior light
- ● Large cup holder
- ● Machine Information Center (MIC)
- ● Mode selectors (illuminated): Power modes – three / Travel modes – two with automatic shift / Work modes – two
- ● Monitor system with alarm features: Auto-idle/auto-acceleration indicator light / Engine air cleaner restriction indicator light / Engine coolant temperature indicator light with audible alarm / Engine check light / Engine oil pressure indicator light with audible alarm / Low alternator charge indicator light / Low fuel indicator light / Wiper-mode indicator / Work-lights-on indicator / Work-mode indicator
- ● Motion alarm with cancel switch (conforms to SAE J994)
- ● Propel pedals and levers
- ● Seat belt, 2 in. (51 mm), retractable
- ▲ ▲ Seat belt, 3 in. (76 mm), non-retractable
- ● Tinted glass
- ● Transparent tinted overhead hatch
- ▲ ▲ Alternate pilot control pattern
- ▲ ▲ Circulation fan
- ▲ ▲ Protection screens for cab front, rear, and side
- ▲ ▲ Window vandal protection covers
- ▲ ▲ 24- to 12-volt D.C. radio converters, 10 amp

Electrical

- ● 45-amp alternator
- ● Blade-type multi-fused circuits
- ● By-pass start safety cover on starter
- ● Positive terminal battery covers
- ▲ ▲ Cab extension wiring harness

Lights

- ● Halogen work lights: One mounted on boom / One mounted on frame

Control Owning and Operating Costs

Customer Personal Service (CPS) is part of John Deere's proactive, fix-before-fail strategy on machine maintenance that will help control costs, increase profits, and reduce stress. Included in this comprehensive lineup of ongoing programs and services are:

Fluid analysis program – tells you what's going on inside *all* of your machine's major components so you'll know if there's a problem *before* you see a decline in performance. Fluid analysis is included in most extended coverage and preventive-maintenance agreements.

Component life-cycle data – gives you vital information on the projected life span of components and lets you make informed decisions on machine maintenance by telling you approximately how many hours of use you can expect from an engine, transmission, or hydraulic pump. This information can be used to preempt catastrophic downtime by servicing major components at about 80 percent of their life cycle.

Preventive Maintenance (PM) agreements – give you a fixed cost for maintaining a machine for a given period of time. They also help you avoid downtime by ensuring that critical

maintenance work gets done right and on schedule. On-site preventive maintenance service performed where and when you need it helps protect you from the expense of catastrophic failures and lets you avoid waste-disposal hassles.

Extended coverage – gives you a fixed cost for machine repairs for a given period of time so you can effectively manage costs. Whether you work in a severe-service setting or just want to spread the risk of doing business, this is a great way to custom-fit coverage for your operation. And an extended coverage contract also travels well because it's backed by John Deere and is honored by *all* Deere construction dealers.

Customer Support Advisors (CSAs) – Deere believes the CSA program lends a *personal* quality to Customer Personal Service (CPS). Certified CSAs have the knowledge and skills for helping make important decisions on machine maintenance and repair. Their mission is to help you implement a plan that's right for *your* business and take the burden of machine maintenance off your shoulders.



JOHN DEERE

Net engine power is with standard equipment including air cleaner, exhaust system, alternator, and cooling fan, at standard conditions per SAE J1349 and DIN 6270B, using No. 2-D fuel at 35 API gravity. No derating is required up to 10,000-ft. (3050 m) altitude. Gross power is without cooling fan.

Specifications and design subject to change without notice. Wherever applicable, specifications are in accordance with SAE standards. Except where otherwise noted, these specifications are based on units with full fuel tanks and 175-lb. (79 kg) operators; 42-in. (1067 mm) bucket, 28-in. (700 mm) track shoes, and 5,400-lb. (2450 kg) counterweight for the 120C; 36-in. (914 mm) bucket, 28-in. (700 mm) track shoes, and 7,275-lb. (3300 kg) counterweight for the 160C LC.

